

Which is your 1st choice in Lifts?



**KLEEMANN**<sup>TM</sup>  
Your 1<sup>st</sup> Choice in Lifts

KTS Car Lifting Systems

KPS Parking Systems

KPS

Hydro Park 1127

Hydro Park 1123

Hydro Park 2130

TPTP – 2

Puzzle Parking Systems

KPS 3230

PDP-2

Hydro Park PFPP

Scissor Platforms

Lift Platform for Vehicles (single scissor)

Lift Platform for Vehicles (double scissor)

KLEEMANN os FC – Vehicle Turntable

## Features

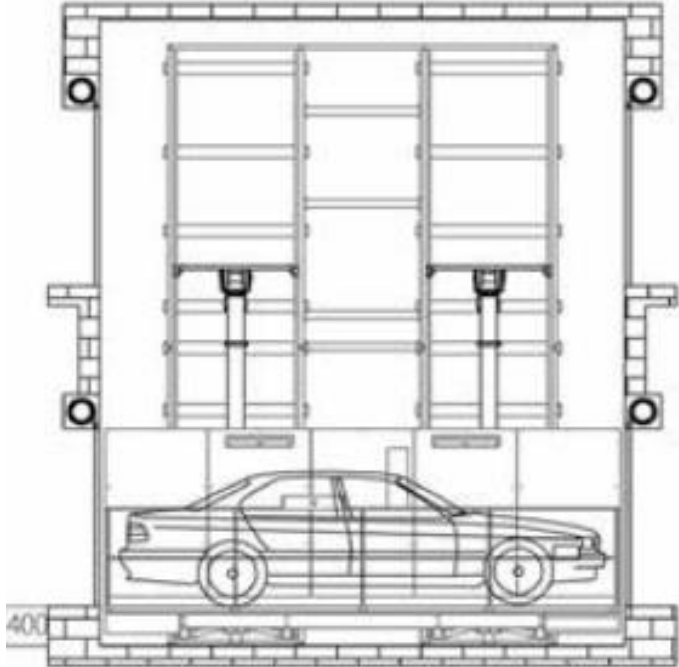
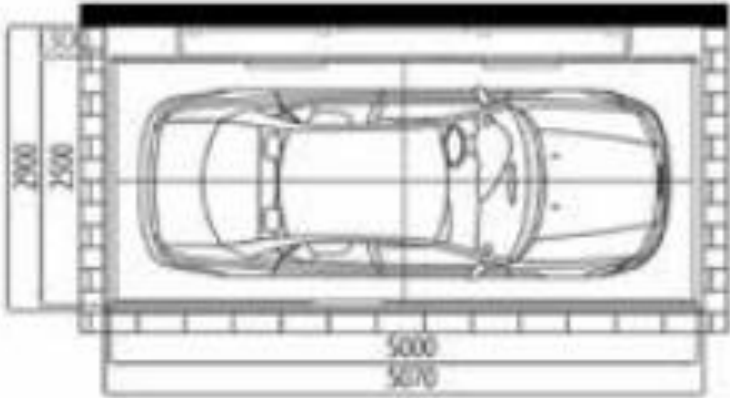
- Special industrial-type rolls supplied with obstacle detection system seamlessly integrated in to the automation controller GL1 KTS
- Infrared light curtain installed on the platform for safe vehicle parking
- Requires small depth for the shaft pit
- Covers space only from the one side of the shaft area
- Costs less than the shears technology car lifting system
- Each case is studied and designed specifically by the Engineering Department of KLEEMANN
- Easy and quick installation
- CE marking and complete EC type examination certificate by Liftinstituut
- Technical support and guarantee by KLEEMANN



# KTS Car Lifting Systems



|                               | KTS 2200                    | KTS 3000                    |
|-------------------------------|-----------------------------|-----------------------------|
| Travel                        | From 2000 mm up to 12000 mm | From 2000 mm up to 10000 mm |
| Max Rated Load                | 2200 kg                     | 2200 kg                     |
| Minimum Shaft Depth           | 400 mm                      | 500 mm                      |
| Max clear Platform Dimensions | 2440 x 5500 mm              |                             |



# Parking Systems KPS

## Features

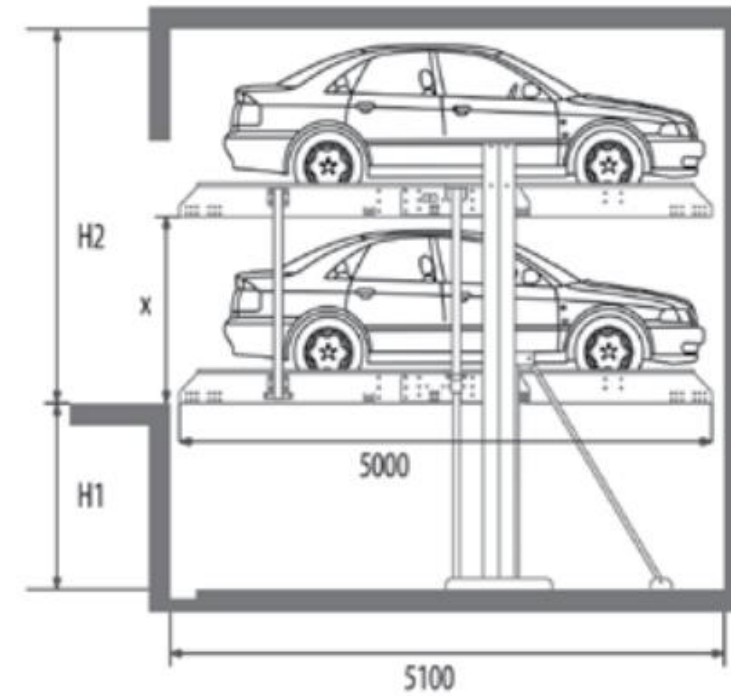
- Suitable for vehicle's height up to 1810mm
- Doubling of parking spaces with minimum space occupation
- The additional parking space is independent and consequently parking on the upper platform does not require the absence of a vehicle at the lower platform
- Each case is studied specifically according to the building needs by the Engineering Department of KLEEMANN
- Easy installation
- CE marking and complete technical file
- Technical support and guarantee by KLEEMANN



# Parking Systems KPS

|                 | Shaft width (mm) | Platform width (mm) |
|-----------------|------------------|---------------------|
| Simple Platform | 2700             | 2250                |
|                 | 2950             | 2500                |
|                 | 3150             | 2700                |
| Double Platform | 4950             | 4500                |
|                 | 5250             | 4800                |
|                 | 5450             | 5000                |

| Type      | Dimensions (mm) |      |      |
|-----------|-----------------|------|------|
|           | H1              | H2   | X    |
| Standard  | 1750            | 3250 | 1560 |
| Luxury    | 1900            | 3400 | 1710 |
| Exclusive | 2000            | 3500 | 1810 |



# Hydro Park 1127

## Four Post Parking Lift

### Features

- 2700 capacity for different demands
- Middle post sharing feature save cost and space
- Dynamic mechanical locks as anti-falling device hold the platform in place
- Dual hydraulic lifting cylinders direct drive
- Individual hydraulic power pack and control panel
- Self-standing and self-support structure
- Synchronization chain assuring the lifting platform balance
- Manual lock release available in case of electricity failure
- Platform can be stopped at different heights to fit for various vehicles and ceiling heights
- Hydraulic overload protection



# Hydro Park 1127

## Four Post Parking Lift

|                       |                             |
|-----------------------|-----------------------------|
| Model                 | Hydro Park1127              |
| Lifting capacity      | 2700kg                      |
| Equipment weight      | 1100kg                      |
| Usable platform width | 2100mm                      |
| Electrical required   | 2100mm                      |
| Control power         | 220-450V, 1 or 3Phase       |
| Lock device           | 24V                         |
| Lock release          | Dynamic                     |
| Operation             | Electric auto release       |
| Lifting height        | Key switch                  |
| Lifting/lowing time   | 2.2 kw hydraulic power pump |
| Finishing             | 50/45 Sec                   |
| Power pack            | Powder coating              |





# Hydro Park 1123

## Two Post Parking Lift

### Features

- 2300kg capacity for small SUVs
- Middle post sharing feature save cost and space
- Dynamic mechanical locks at anti-falling device hold the platform in place
- Single hydraulic lifting cylinder with chains as driver system
- Self-standing and self-support structure
- Synchronization chain assuring the lifting platform balance
- Manual lock release available in case of electricity failure
- Platform can be stopped at different



# Hydro Park 1123

## Two Post Parking Lift

### Technical Specifications

|                       |                             |
|-----------------------|-----------------------------|
| Model                 | Hydro Park1123              |
| Lifting capacity      | 2300kg                      |
| Equipment weight      | 1000kg                      |
| Usable platform width | 2100mm                      |
| Electrical required   | 2100mm                      |
| Control power         | 220-450V, 1 or 3Phase       |
| Lock device           | 24V                         |
| Lock release          | Dynamic                     |
| Operation             | Electric auto release       |
| Lifting height        | Key switch                  |
| Lifting/lowering time | 2.2 kw hydraulic power pump |
| Finishing             | 50/45 Sec                   |
| Power pack            | Powder coating              |



# Hydro Park 2130

## Four Post Parking Lift

### Features

- 3000kg capacity makes it possible for all SUVs
- 2150mm usable platform width make it much easier for parking and retrieve
- Hydraulic cylinder and chain drive system for smooth operation
- Self-standing and self-support structure
- Dynamic mechanical locks as anti-falling device hold the platform in place
- Platform can be stopped at different heights to fit for various vehicles and ceiling heights
- Hydraulic overload protection



# Hydro Park 2130

## Four Post Parking Lift



### Technical Specifications

|                       |                             |
|-----------------------|-----------------------------|
| Model                 | Hydro Park 2130             |
| Lifting capacity      | 3000kg                      |
| Equipment weight      | 1000kg                      |
| Usable platform width | 2100mm                      |
| Electrical required   | 2150mm                      |
| Control power         | 220-450V, 1 or 3Phase       |
| Lock device           | 24V                         |
| Lock                  | Dynamic                     |
| Operation             | Electric auto release       |
| Lifting height        | Key switch                  |
| Lifting/lowing time   | 2.2 kw hydraulic power pump |
| Finishing             | 50/45 Sec                   |
| Power pack            | Powder coating              |

# KPS 3230

## Four Post Stacker Parking Lift

### Features

- 3000kg capacity for both SUV and sedan
- Available for four levels
- Single hydraulic cylinder with steel ropes drive
- Central hydraulic power pack and individual control panel
- Self-standing and self-support structure
- Mechanical lock on cylinder as anti-falling safety device
- Hydraulic overload protection

### Technical Specifications

|                  |                 |
|------------------|-----------------|
| KPS 3130         | KPS 3230        |
| ›For 3 SUV       | ›For 4 SUV için |
| ›3000kg capacity | ›3000kg         |
| ›A= 6110 mm      | ›A= 8140 mm     |
| ›B= 2590 mm      | ›B= 2590 mm     |
| ›C= 2060 mm      | ›C= 2060 mm     |
| ›D= 4745 mm      | ›D= 4745 mm     |



# TPTP - 2

## Two Post Tilting Parking Lift

### Features

- Designed for low ceiling height
- 2000kg capacity, suitable for sedan only
- Galvanized platform with wave plate for better parking
- 10 degree tilting platform
- Dual hydraulic lifting cylinders direct drive
- Individual hydraulic power pack and control panel
- Self-standing and self-support structure
- Can be moved or recolated
- Both electrical and manual lock release for your choice
- Hydraulic overload protection



# BDP - 2

## Bi-Directional Parking System

### Features

- Galvanized platform with wave plate for better parking
- 15 levels above ground for all sedan maximum or 5 levels above ground for all SUV maximum
- Can be mixed with 3 levels underground
- Galvanized platform with wave plate for better parking
- Hydraulic cylinder with steel rope drive
- Fast lifting and descending speed
- Hydraulic variable frequency speed control technology to smoothly approaching ground
- Central hydraulic power pack and control panel, with PLC control system inside
- Code, IC Card and manual operation available
- 2000kg capacity for sedan system, and 2500kg capacity for SUV system
- Anti-falling frame protection



# Hydro Park PFPP Pit Four Parking Lift

## Features

- Available for three levels underground
- Central hydraulic power pack and control panel with PLC control system inside
- Code, IC Card and manual operation available
- 2000kg capacity for sedan only
- Middle post sharing feature save cost and space
- Anti-falling ladder protection
- Hydraulic overload protection





# Hydro Park PFPP Pit Four Parking Lift

## Technical Specifications

| Parking         | Type                       | PFPP-3     | PFPP-4     |
|-----------------|----------------------------|------------|------------|
| Dimencions (mm) | Single Vehicle Weight (kg) | ≤2000      | ≤2000      |
|                 | A                          | 2500/2700  | 2500/2700  |
|                 | B                          | ≤5400/5800 | ≤5400/5800 |
|                 | Length of the platform     | 5400       | 5400       |
|                 | D                          | 4000/4200  | NA/5900    |
| Drive Mode      | Motor/Hydraulic            |            | Hydraulic  |
| Motor           | [kW]                       | 5.5        | 7.5        |
|                 | Vertical speed (seconds)   | <60        |            |

# Scissor Lift Platform for Vehicles (single Scissor)

## Features

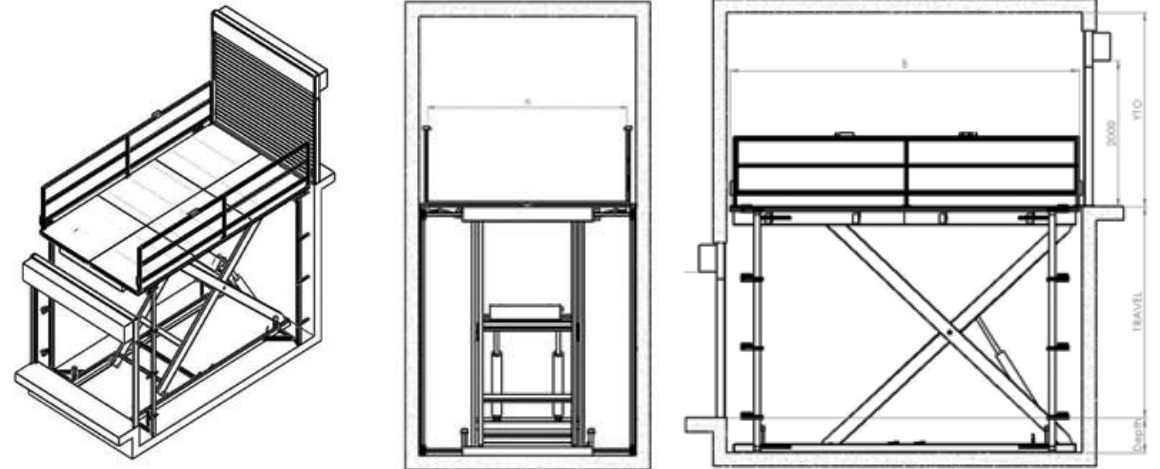
- Each cylinder features a parachute valve in case of rubber hose rupture
- ON-OFF valve
- Travel limit switch
- Manual descent switch in case of power failure
- Pressure relief valve
- Control pressure gauge
- Photocells or light curtains at the 2 sides of the platform
- Railings with height 1.1m and metal sheet panel cover at the 2 sides of the platform
- “Hold to run” buttons



# Scissor Lift Platform for Vehicles (single Scissor)

## Technical Specification

- Rated load: 2500 – 3000 Kg
- Platform dimensions: 2500x6000\* mm Travel (mm): max 4000
- Over travel: 50mm (down) + 50mm (up) Max number of stops: 2 or 3
- Max car speed: 0,05-0,08 m/s Min pit depth: 550 mm
- Min Headroom: 2500 mm Guide rails: T 89x62x16
- Piston diameter:  $\Phi 70$  –  $\Phi 120 \times 135$  Motor: 5,5 Hp/380V
- Max pump capacity: 14cc /rev Block of valves: CBF
- Rubber hose size: 2SN ½" Landing doors: Rollers



# Scissor Lift Platform for Vehicles (double Scissor)

## Features:

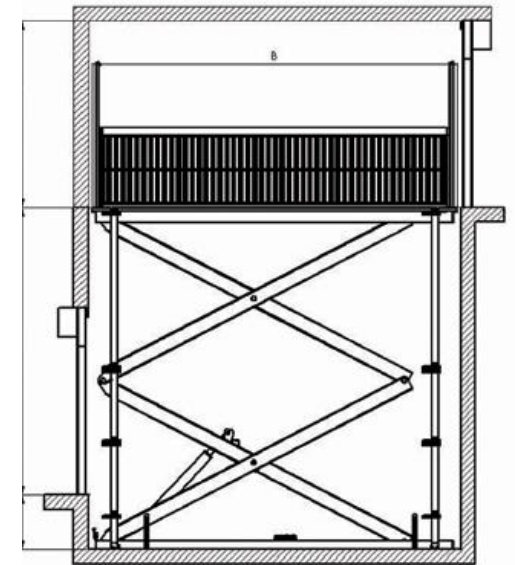
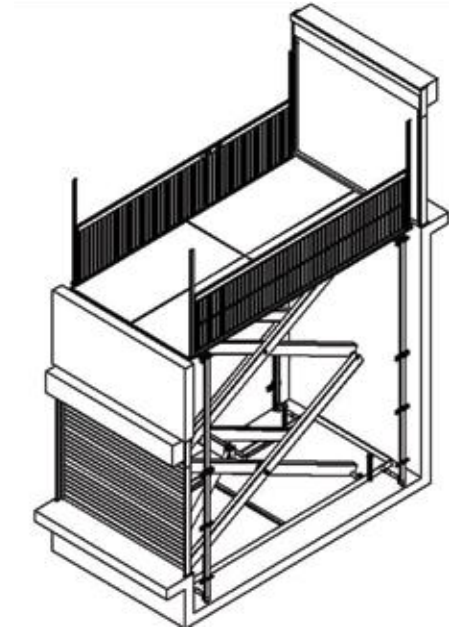
- Each cylinder features a rupture valve in case of rubber hose rupture
- ON-OFF valve
- Travel limit switch
- Manual descent switch in case of power failure
- Pressure relief valve
- Control pressure gauge
- Photocells or light curtains at the 2 sides of the platform
- Railings with height 1.1m and metal sheet panel cover at the 2 sides of the platform
- “Hold to run” buttons



# Scissor Lift Platform for Vehicles (double Scissor)

## Technical Specifications

- Rated load: 2500 – 3000 Kg
- Platform dimensions: 2500X6000\* mm Travel: max 7400 mm
- Over travel: 50mm (down) + 50mm (up) Max number of stops: 3
- Max car speed: 0,05-0,08 m/s Min pit depth: 600 mm
- Min Headroom: 2500 mm Guide rails: T 89x62x16
- Piston diameter:  $\Phi 80 - \Phi 140 \times 160$  Motor: 7,5 Hp/380V
- Max pump capacity: 14cc /rev Block of valves: CBF Italy
- Rubber hose size: 2SN ½''
- Landing doors: Rollers

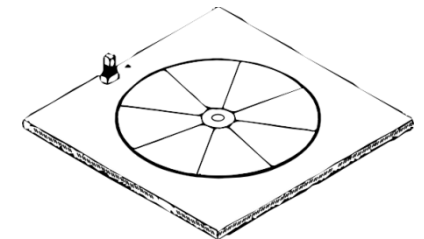
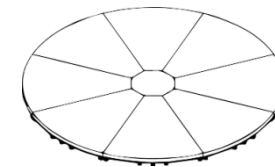
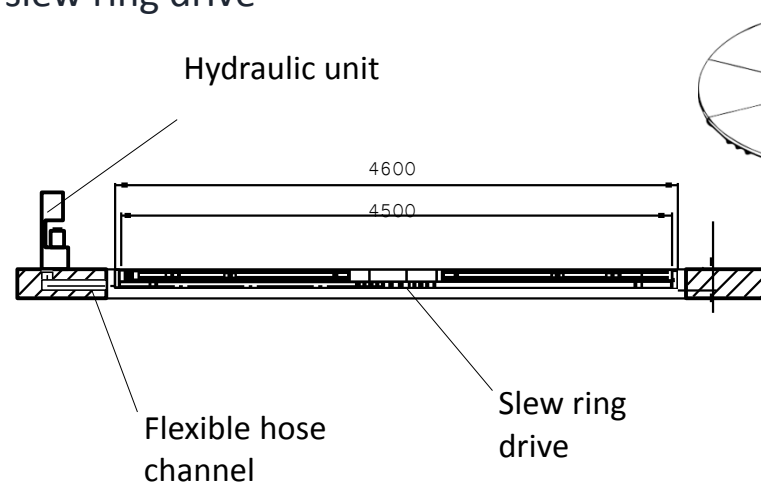
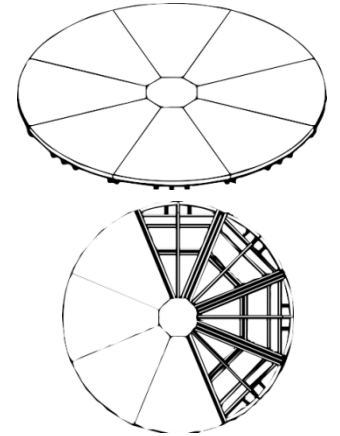


# KLEEMANN os FC Vehicle

## Turntable

### Features:

- Ø4500mm
- Ø4600mm Pit diameter
- 200mm Pit depth min
- Hydraulic unit 2Hp/220V, 50Hz
- Rotation mechanism, Hydraulic motor with slew ring drive
- Rotation 360°
- Stops at fixed points
- Top finish sheet metal
- Special Platform dimensions





**KLEEMANN**™  
Your 1<sup>st</sup> Choice in Lifts

[www.kleemannlifts.com](http://www.kleemannlifts.com)